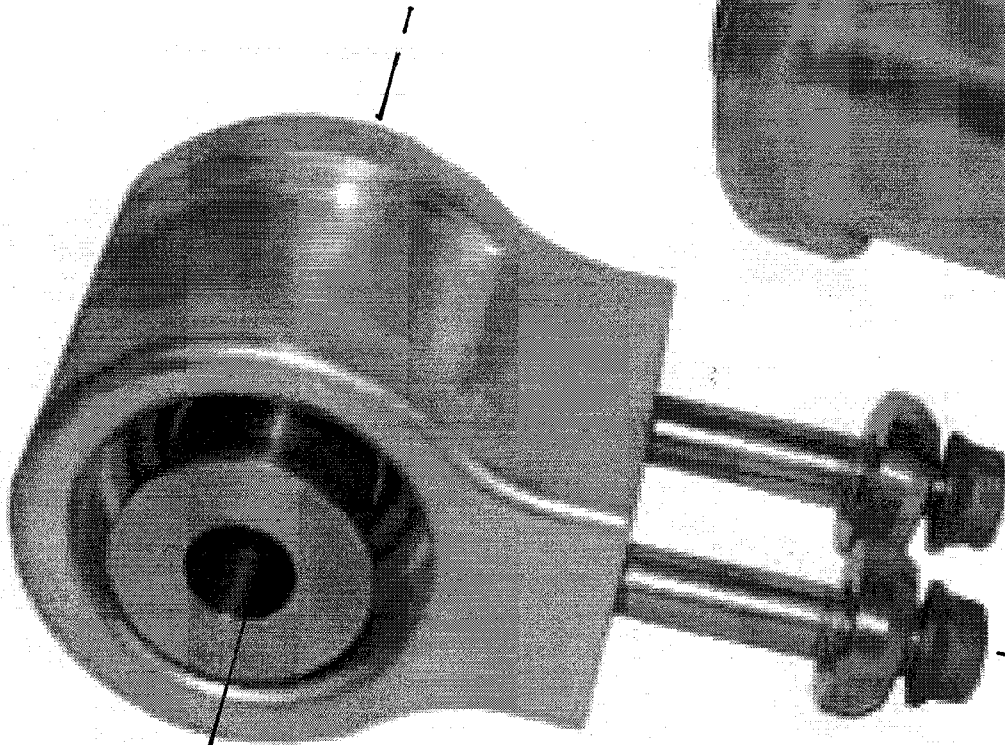
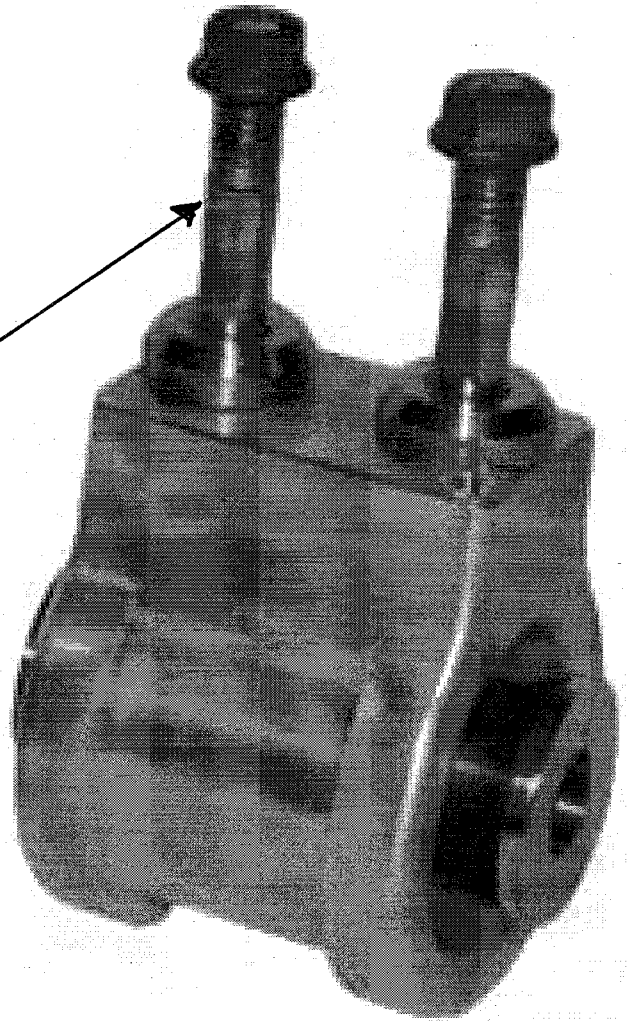
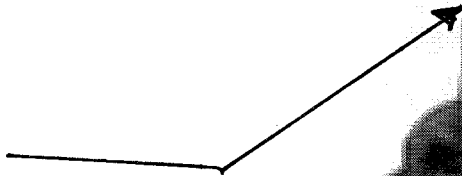
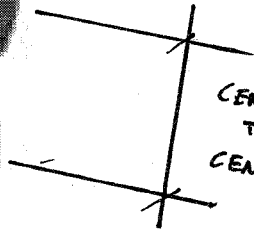


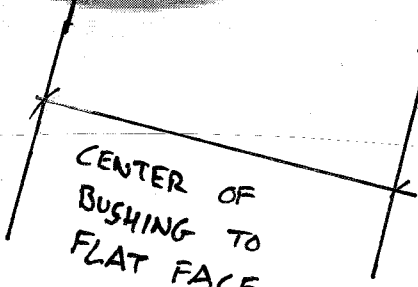
DIA. AND
PITCH OF
THREAD
(M12x1.5?)



CENTER
TO
CENTER ?



CENTER OF
BUSHING TO
FLAT FACE



LENGTH OF
STUDS

